



COLORED DIAMOND IDENTIFICATION AND ORIGIN REPORT

GIA REPORT 15121194

May 22, 2006

Shape and Cutting Style **ROUND MODIFIED BRILLIANT**

Measurements **5.34 - 5.42 x 2.88 mm**

Weight **0.65 carat**

Color Grade

Origin **NATURAL**

Grade **FANCY**

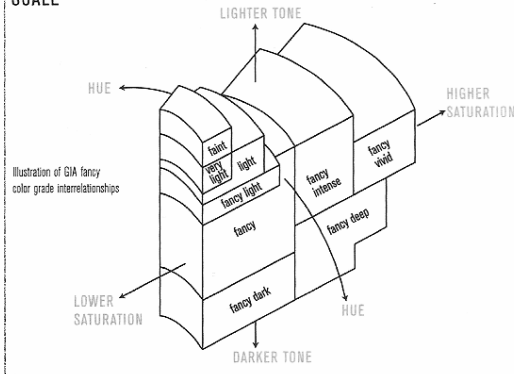
..... **BROWN-PINK**

Distribution **EVEN**

Comments:

None

GIA
COLORED
DIAMOND
SCALE



371457702



The security features in this document, including the hologram, security screen and microprint lines, in addition to those not listed, exceed document security industry guidelines.

IMPORTANT LIMITATIONS ON BACK

©2006 GEMOLOGICAL INSTITUTE OF AMERICA, INC.

This Report is not a guarantee, valuation or appraisal and contains only the characteristics of the diamond described herein after it has been graded, tested, examined and analyzed by the GIA Laboratory and/or has been inscribed using the techniques and equipment available to the GIA Laboratory at the time of the examination and/or inscription. The recipient of this Report may wish to consult a credentialed jeweler or gemologist about the information contained herein.